



VPM-1500

SELF-POWERED VOLTAGE PRESENCE RELAY



VPM Voltage presence relay is normally used to check the Line voltage presence of a DC Traction System. It is used in all the Traction systems like tramways, trolley buses and Metro with a voltage up to 1.500Vdc. In compliance with the most severe International Standards, it has been fully tested for EMC compatibility. It includes two units connected by a fiber optic cable; the transmitter unit is directly connected to the HV line whereas the receiver is normally mounted in the LV compartment of the DC panel or in a dedicated box.

The Transmitter unit HV is self-powered from the main DC line and is equipped with a very power and brilliant LED lamp visible at 360°; two versions are available:

HV-S

Stainless steel enclosure with Silicon Insulator for direct connection to the catenary



HV-P

Polyester Box with Cable Glands (one each polarity) for connection to Catenary or Third Rail



The Low voltage unit is connected to High Voltage unit by means of fiber optic cable. This unit is equipped with a display for Voltage measurements and set level display and two output relays, one dedicated to voltage presence signalization and one used for device diagnostics



TECHNICAL SPECIFICATIONS

HIGH VOLTAGE UNIT

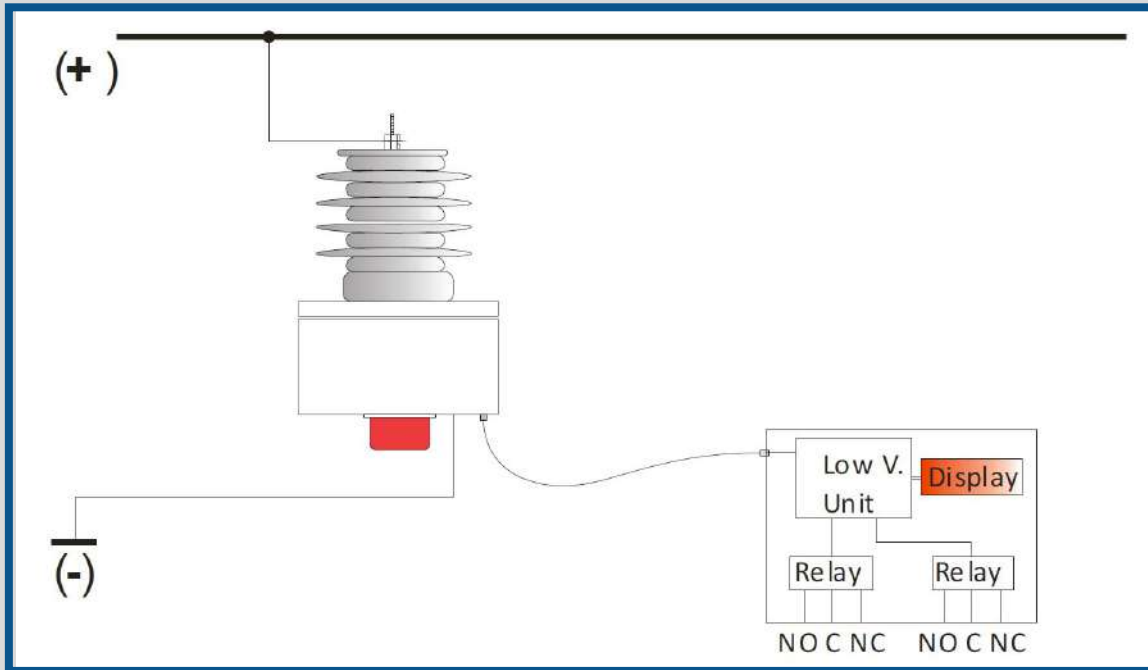
Measuring input and power supply:	1500Vdc (600 – 1800Vdc)
Output:	Fiber Optic (62.5 – 125µm)
Fiber optic connector:	ST
Resolution:	16-bit
Accuracy:	0.5 %
Response time:	1ms
Signalisation:	red lamp (6000mCd)
Enclosure:	Stainless steel
Insulator:	Sylicon
Operating temperature:	-25 to +60° C
EMC:	CEI EN 61000

LOW VOLTAGE UNIT

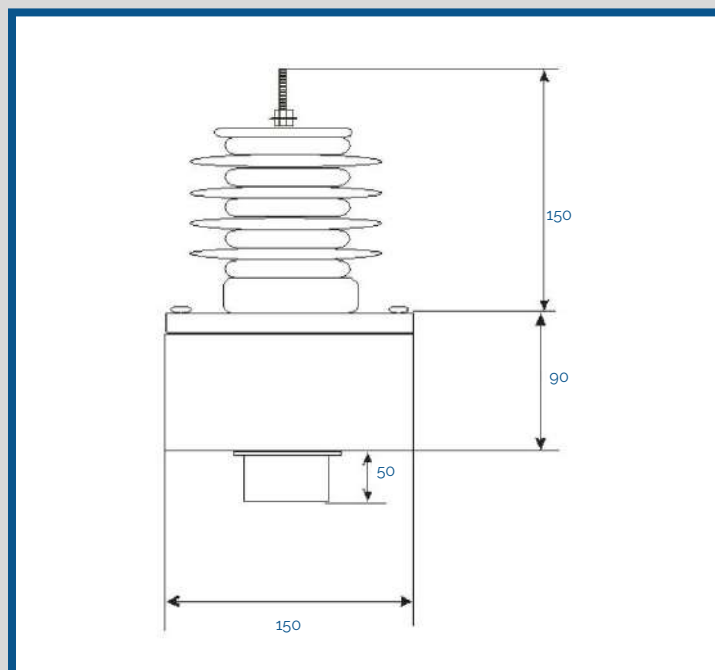
Measuring input:	fiber optic from HV unit
Power Supply:	230Vac (90 – 250Vac)
Fiber optic connector:	ST
Display:	Two 7- digits segment lines, the first is used to display line voltage the second is used to display set value
Signalization Output relay:	C/O Contacts
Diagnostic Output relay:	C/O Contacts
Enclosure:	Polyester (Smokes and allogenig gases free)
Dimensions:	160 x 160 x H 110mm
Operating temperature:	-25 to + 60° C
EMC:	CEI EN 61000

VPM-1500-HV-S

CONNECTION DIAGRAM

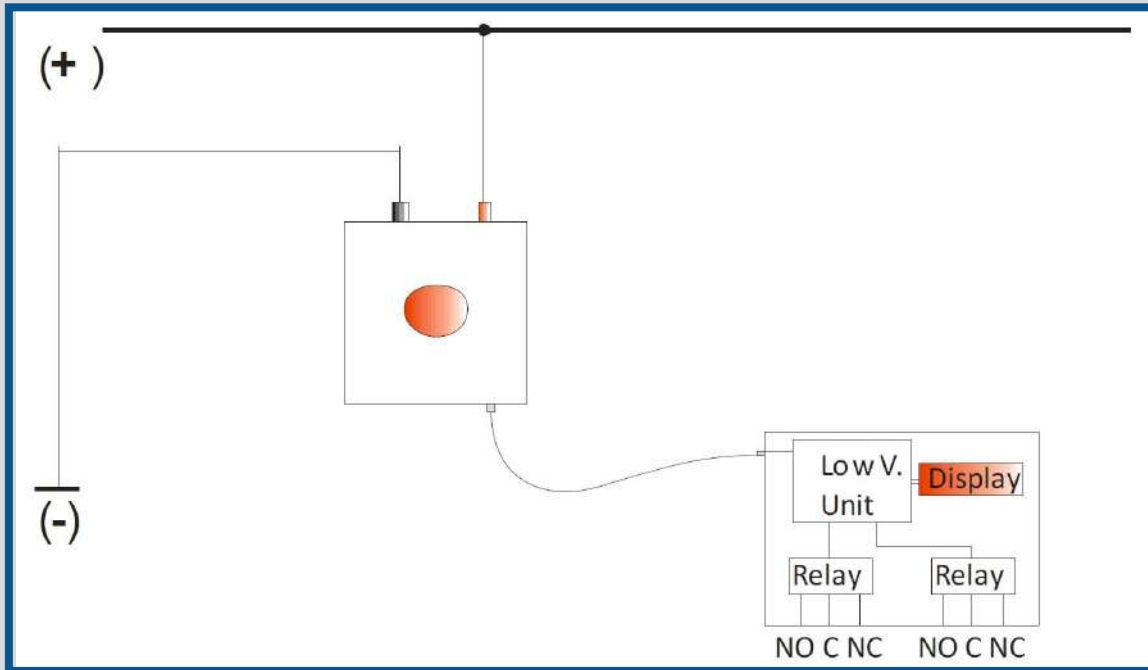


OVERALL DIMENSIONS

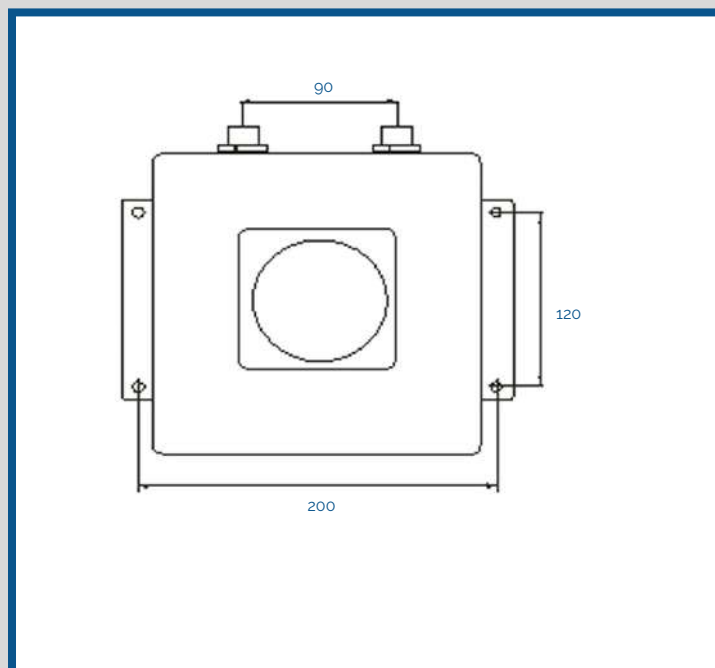


VPM-1500-HV-P

CONNECTION DIAGRAM




OVERALL DIMENSIONS





COET S.p.A.

 +39 02 842934

 www.coet.it

 coet@coet.it

 Via Civesio, 12 - 20097 San Donato Milanese (MI) - Italia

